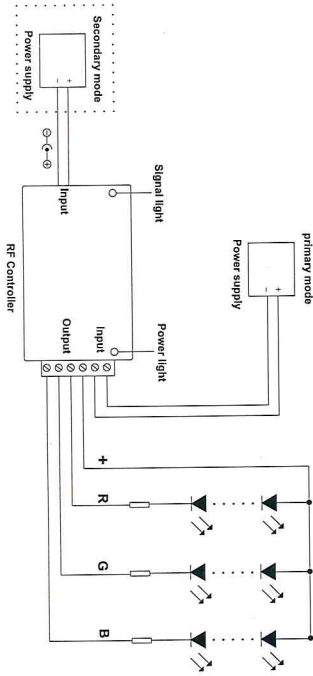


USER MANUAL



RF CONTROLLER

V.Connect Diagram



NOTE:
Only one power supply will be connected to RF Controller, primary or secondary mode.

Button	Button description	remarks
ON/OFF	you could turn on or turn off the output of controller	
Play/Stop		
+	Brightness increase	the brightness will add once when you press it
-	Brightness decrease	The brightness will reduce once when you press it

II. Control Method

Working temperature: -20-60 °C
Supply voltage: DC 12-24V
Product size: L114×W64×H25mm
Package size: L145×W95×H51mm
Net weight: 185g
Gross weight: 205g
Output: Three CMOS drain- open output
Connecting Mode: Common anode
Max output current: 4 A each color

I. Specifications

RF Controller is specially designed for controlling LED multicolor changing patterns. Its slim and delicate shape enables a no-sweat installation. The design flexibility on LED fittings will be enhanced enormously. The wireless controlling system is to make your home decoration possible with industrial products.

IV. Safety Information

1. The input voltage of this controller should be follow the specifications, other high voltage would most probably destroy it.
2. The 4 wires coming out of the controller can't be incorrectly interconnected, or short circuit could occur.
3. Connect the wires of the controller and LED fittings as per the instruction.
4. Don't peel off the label on the controller in case any indication information will be missed.
5. The standard warranty is one year. Our company won't be responsible for any damage of the controller due to any wrong operation.

RED	Static red	Brightness is adjustable, Speed is unadjustable.
GREEN	Static green	
BLUE	Static blue	
WHITE	Static white	
ORANGE	Static orange	
YELLOW	Static yellow	
CYAN	Static cyan	
PURPLE	Static pink	
AUTO	Automation	
FLASH	Sevencolor flash frequency	
SPED+	Speed increase	The speed will add once when you press it
SPED-	Speed decrease	The speed series will reduce once when you press it
JUMP3	3 Color step change	Speed and brightness are adjustable
FAD3	3 Color fade change	Speed is adjustable, brightness is unadjustable
JUMP7	7 Color step change	Speed and brightness are adjustable
FAD7	7 Color fade change	Speed is adjustable, brightness is unadjustable
SPED.	Speed decrease	The speed series will reduce once when you press it